

Facit 1123 Calculator

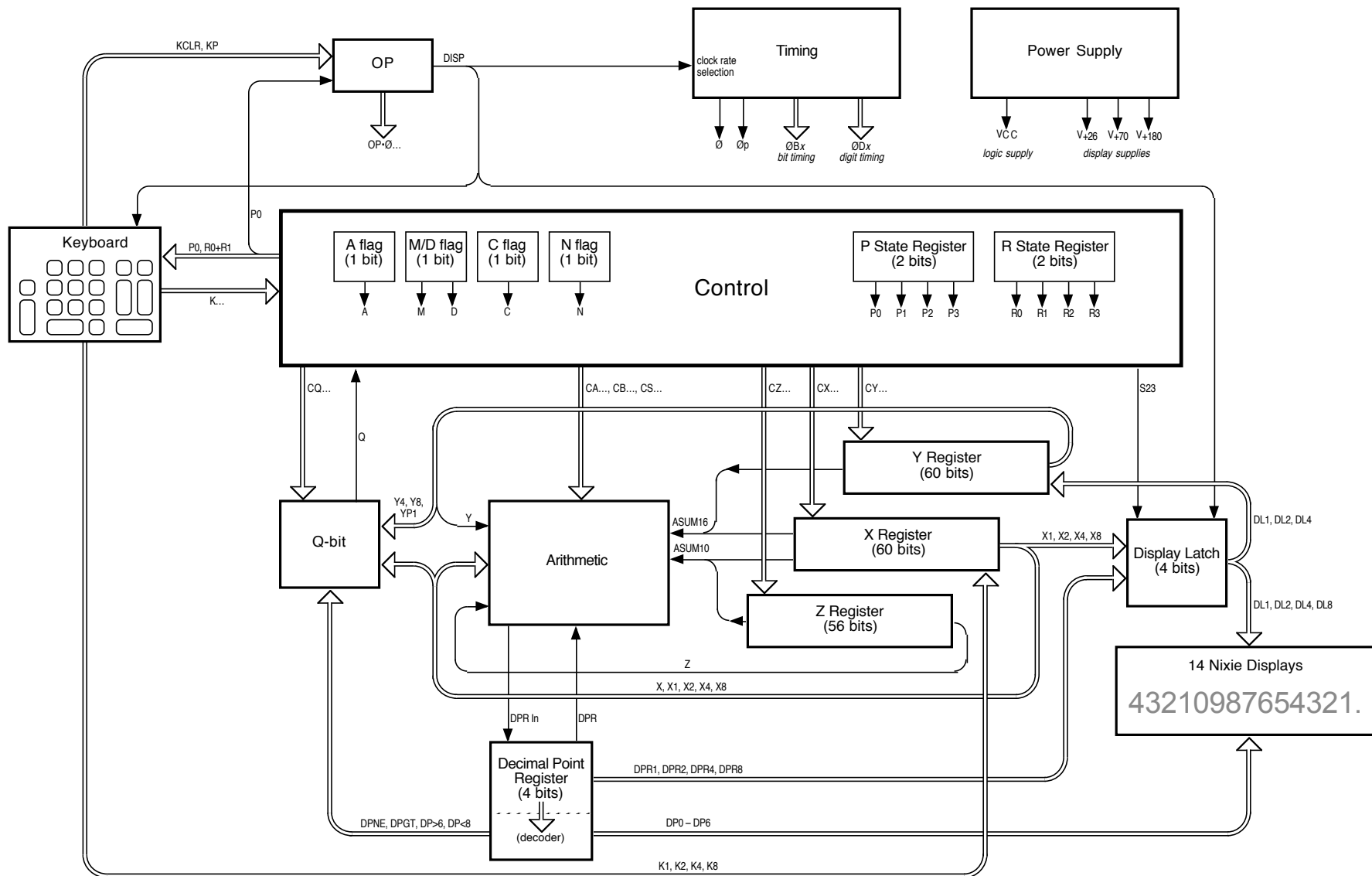
Contents	
Section	Page
Title & Contents (this page)	1
Notes & Signal Names	2
Block Diagram	3
Timing	4
Keyboard and OP Flag	5
Control (part 1)	6
Control (part 2)	7
Registers	8
Decimal Point Register & Q Flag	9
Arithmetic	10
Display Latch & Display	11
Power Supply	12
Timing Diagram	13
IC Pinouts & Physical Layout	14
Connectors	15

Facit 1123 Calculator

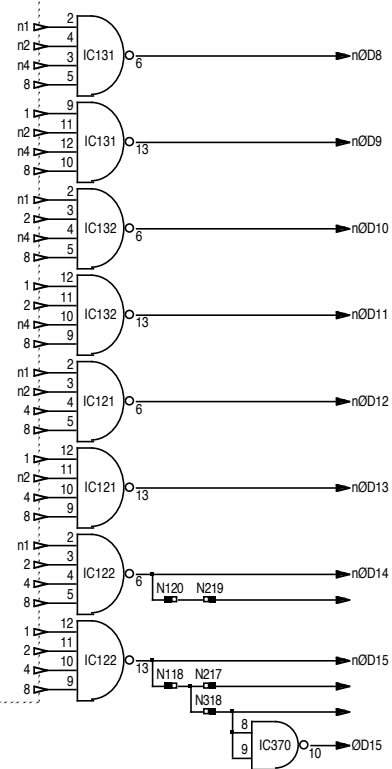
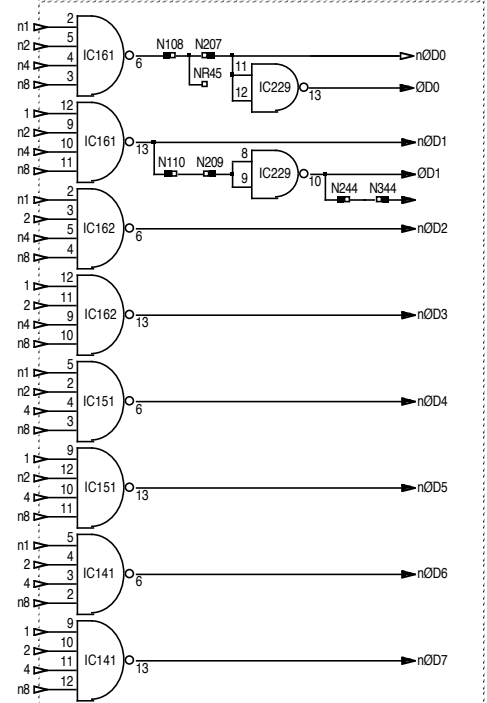
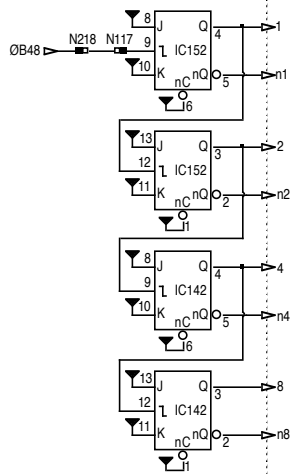
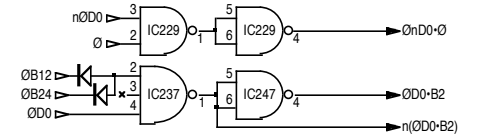
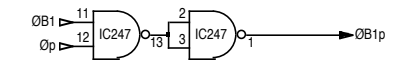
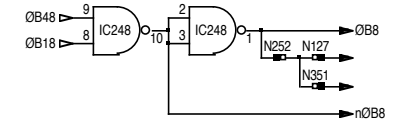
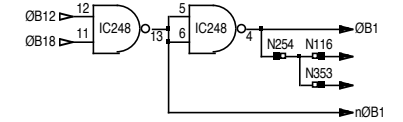
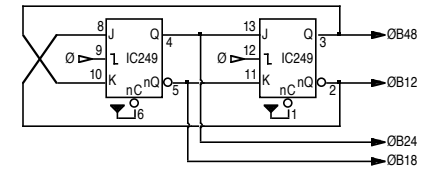
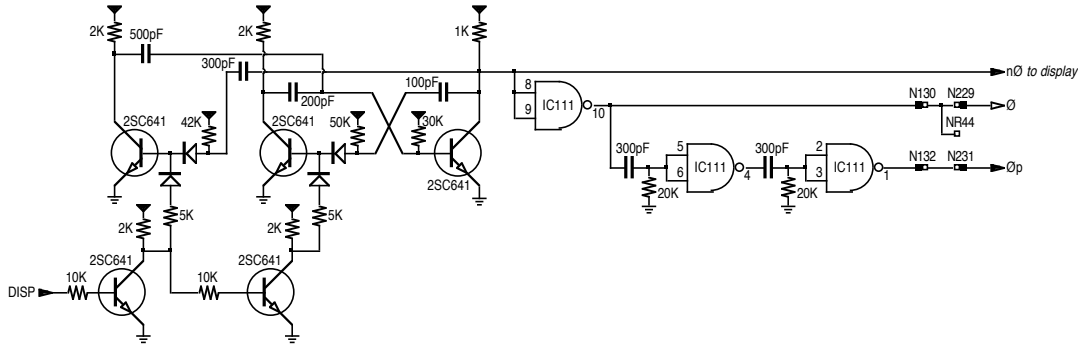
Section: Title and Contents
Page: 1

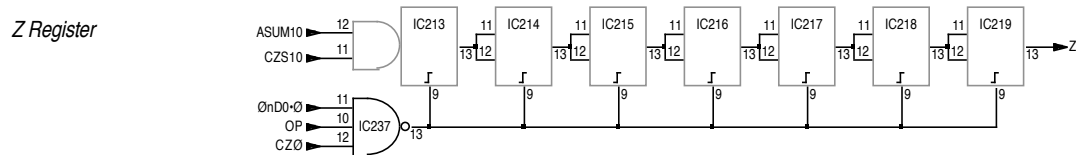
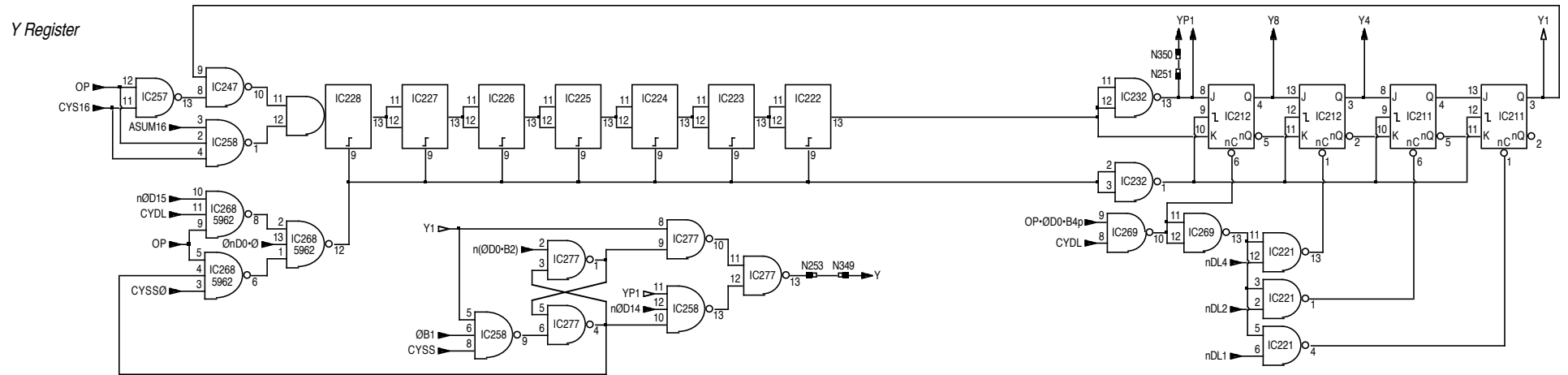
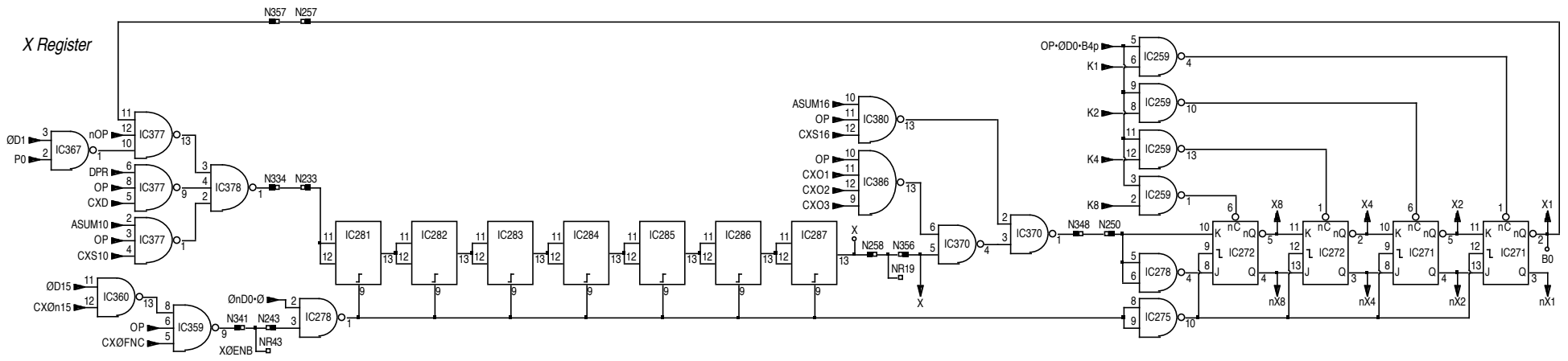
Rendition: 2014 Mar 6

This schematic has been derived through the reverse engineering of a Facit 1123 calculator. This is not the manufacturer's schematic, nor is it based on the manufacturer's schematic.



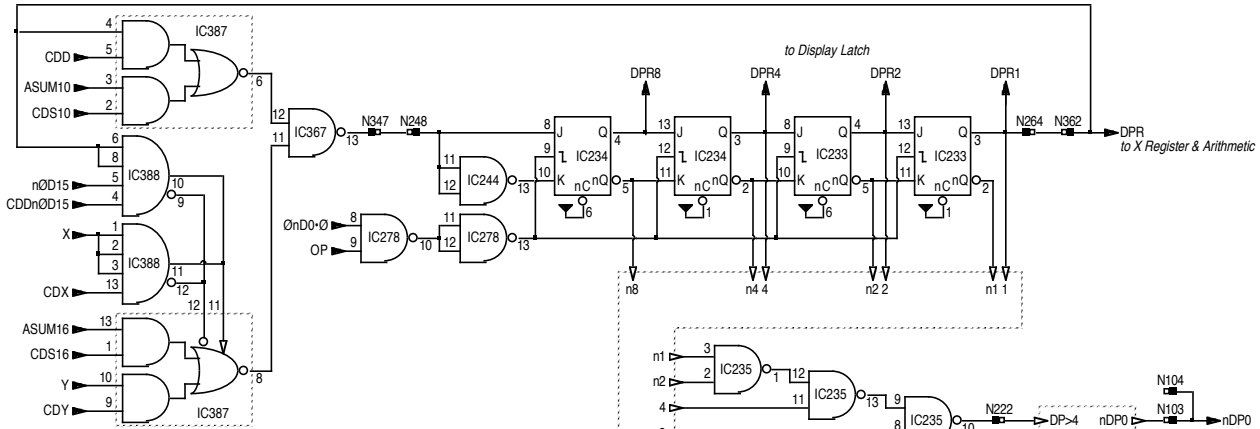
Facit 1123 Calculator



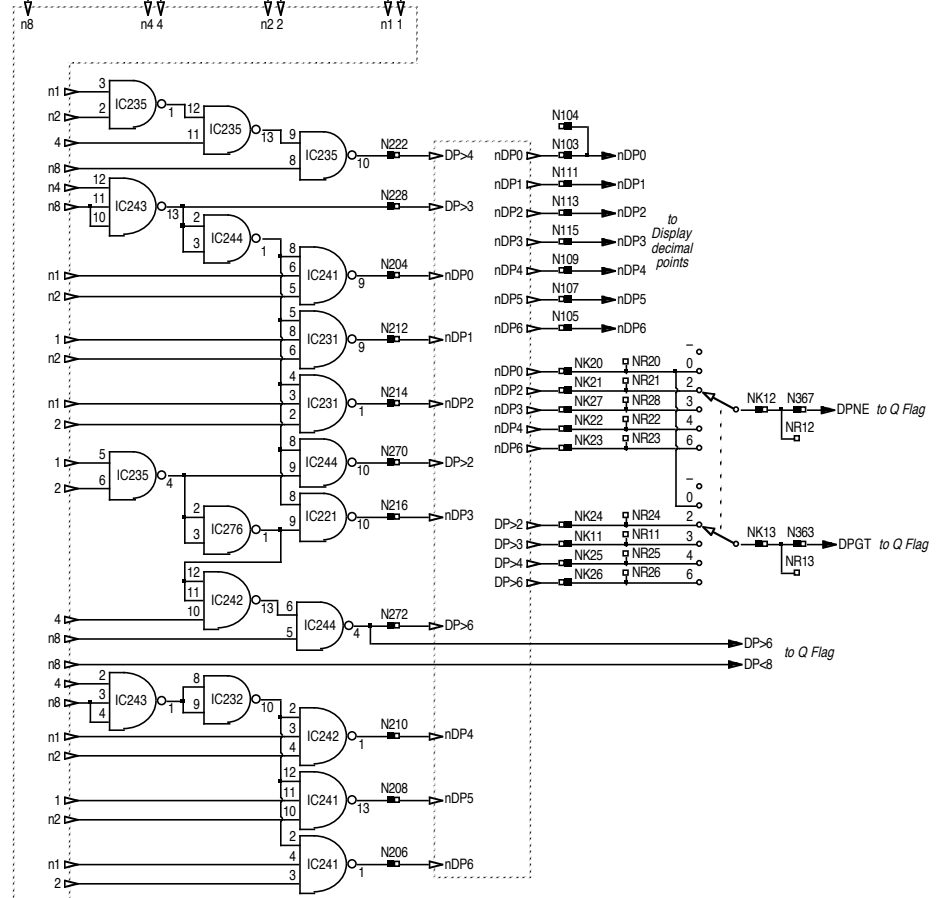
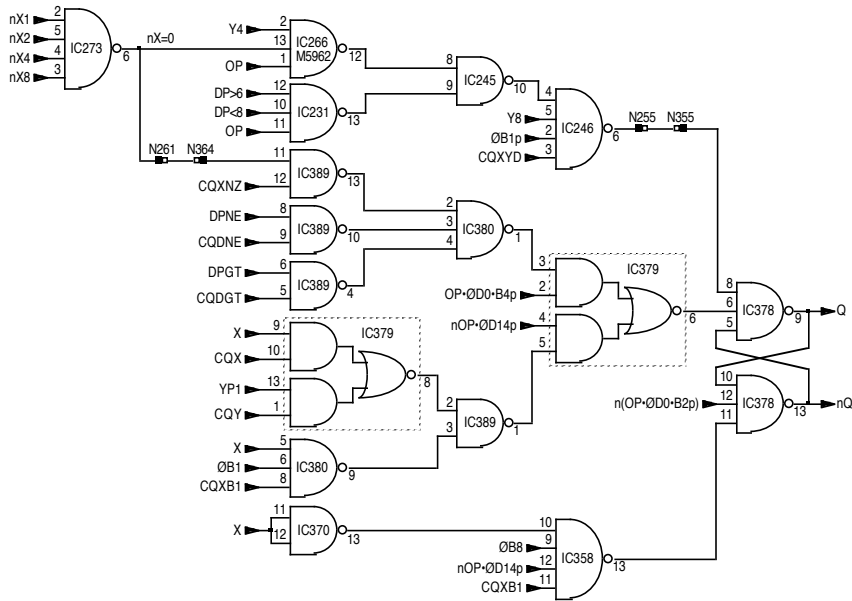


Facit 1123 Calculator

Decimal Point Register



Q Flag

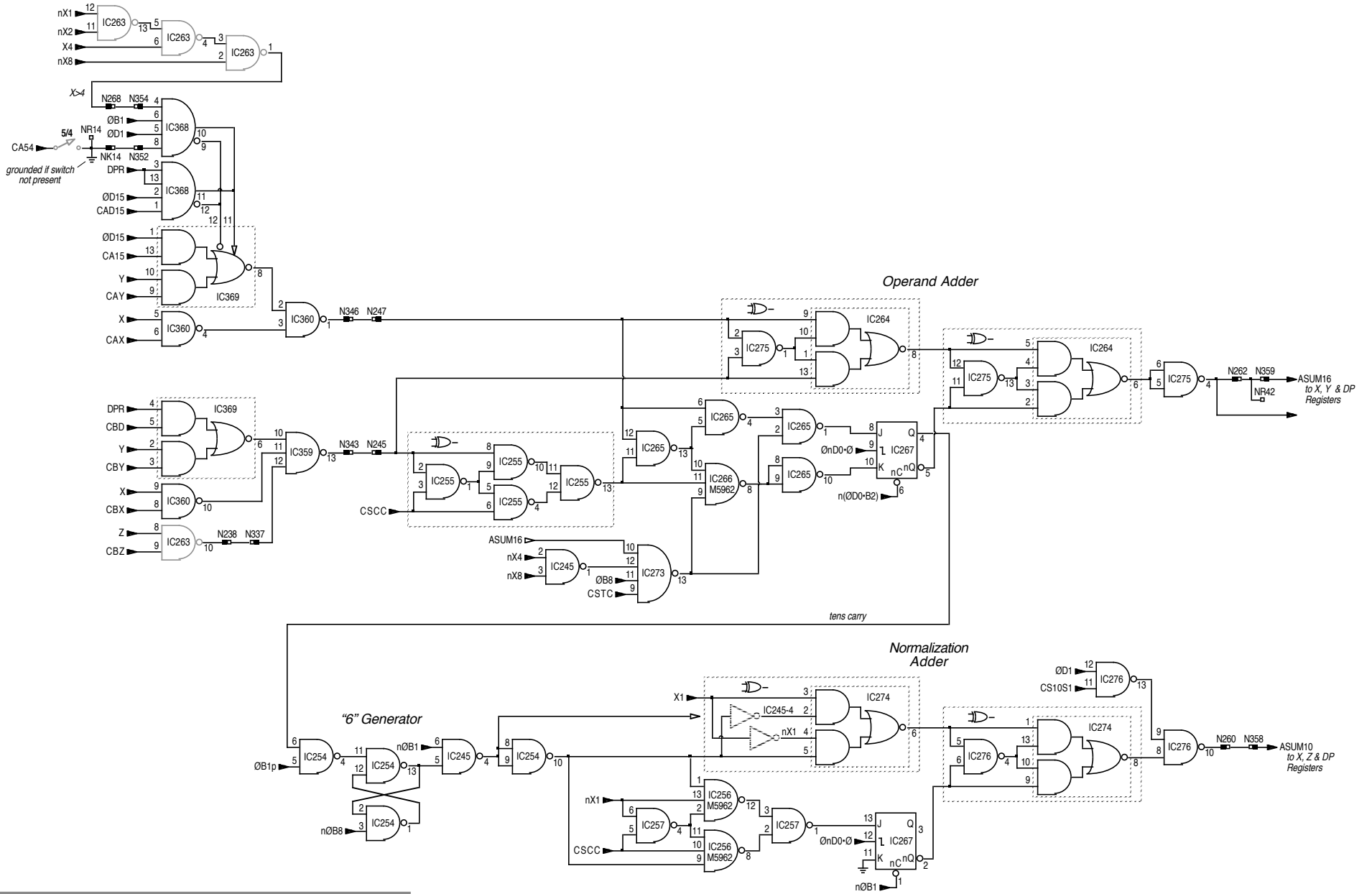


Facit 1123 Calculator

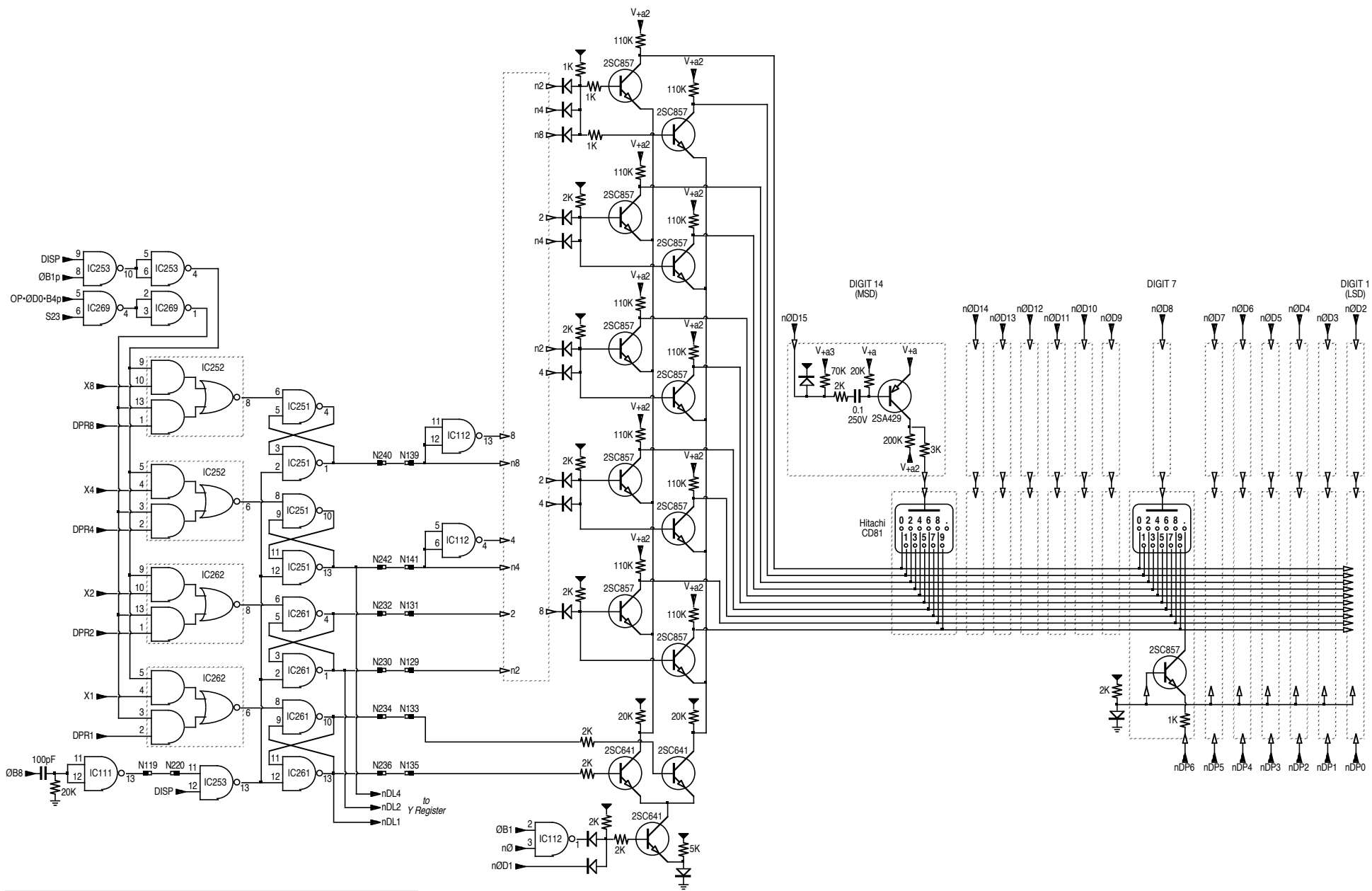
Section: Decimal Point Register & Q Flag

Page: 9

Rendition: 2014 Mar 6



Facit 1123 Calculator

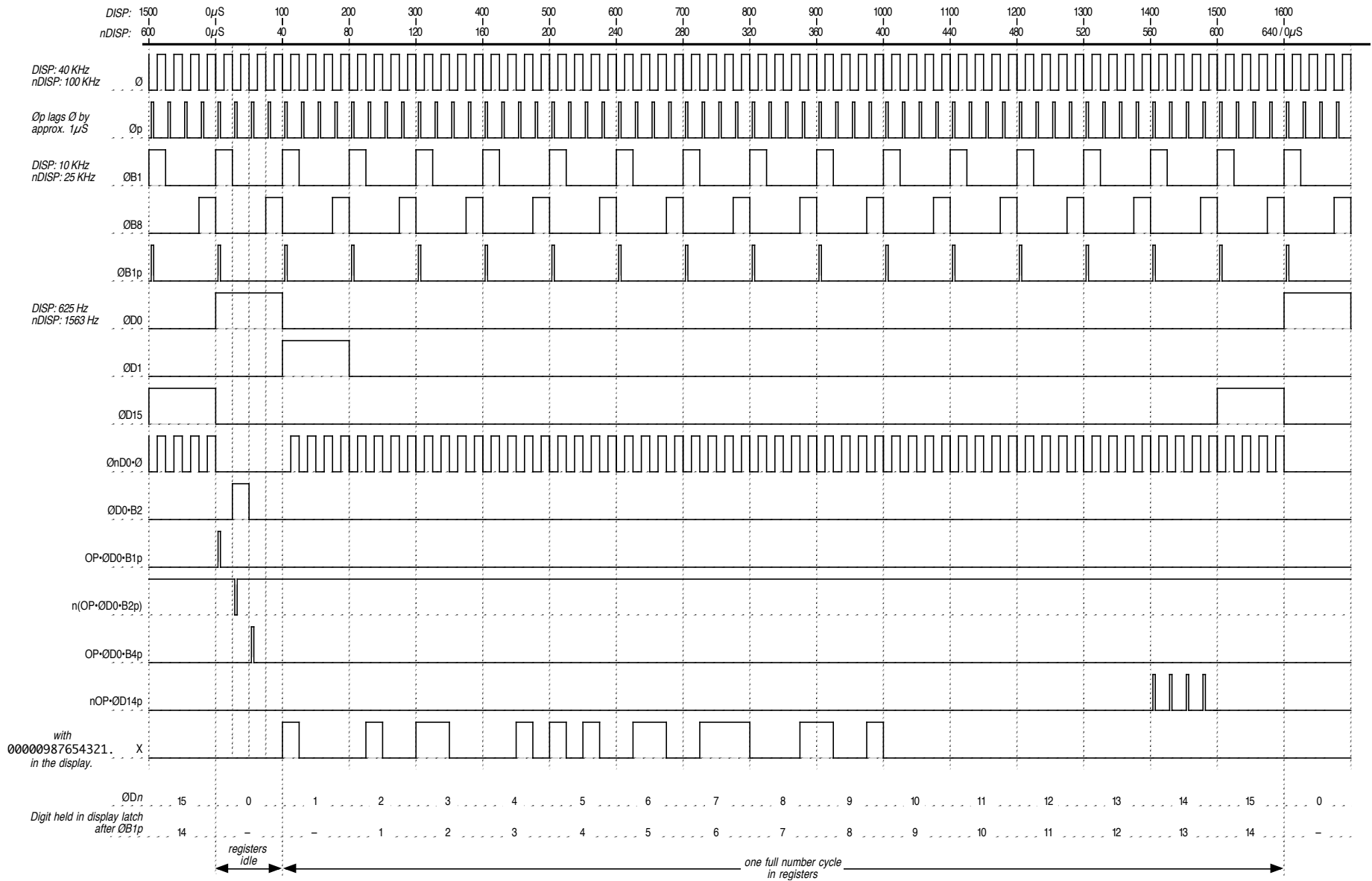


Facit 1123 Calculator

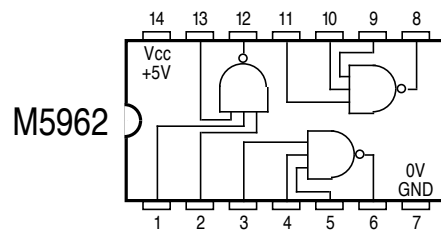
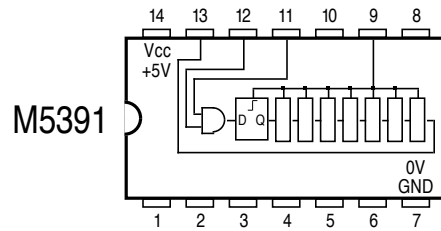
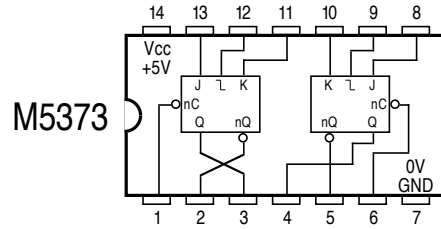
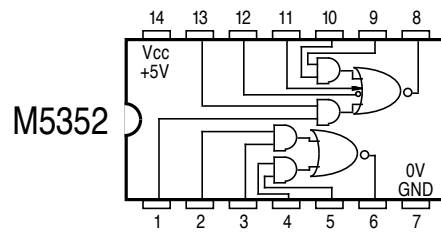
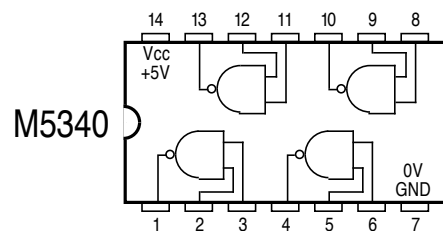
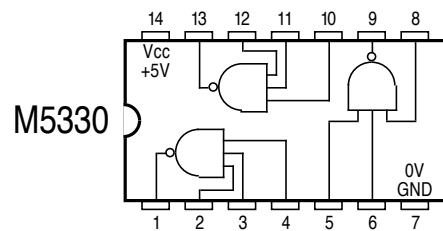
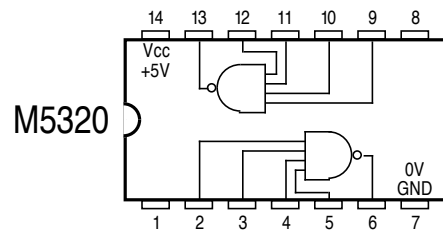
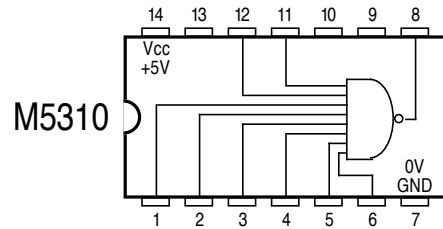
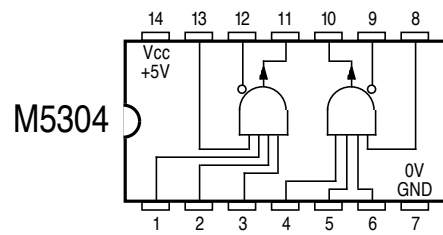
Section: Display Latch & Display

Page: 11

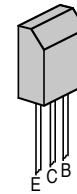
Rendition: 2014 Mar 6



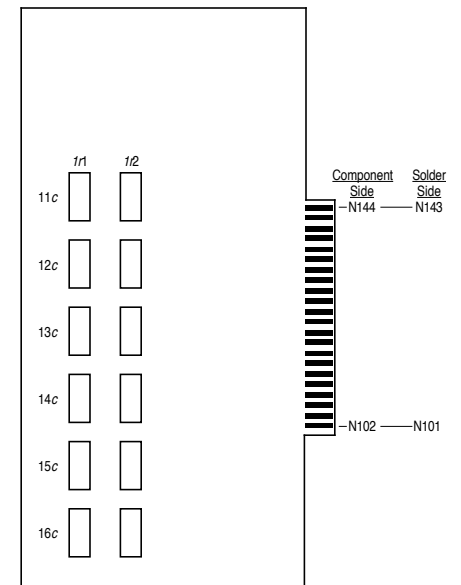
Facit 1123 Calculator



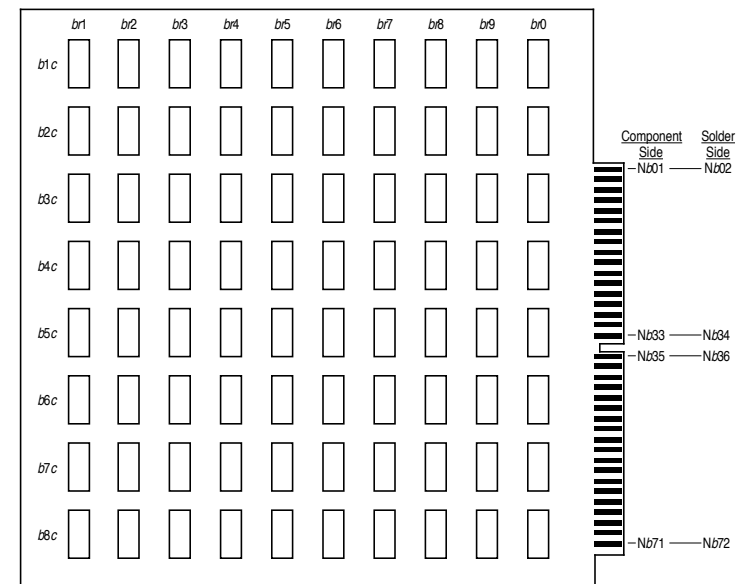
- ◆ IC pinouts are derived from the implementation and may not include all connections.
- ◆ M5962s are reversed in their orientation on the board relative to all other ICs.



Board 1
(component side view)



Boards 2 and 3
(component side view)



Facit 1123 Calculator

N3			
Vcc	1	2	nP0
key 8	3	4	DISP
key 9	5	6	key 0
key 1	7	8	key 2
key 3	9	10	key 4
key 5	11	12	key 6
key 7	13	14	KP
key M+	15	16	nOP
key M-	17	18	nØD15
key ÷	19	20	K8
key DP	21	22	K4
key Z1	23	24	K2
lamp *	25	26	K1
key Z2	27	28	lamp ÷
key RC	29	30	key =
key CE	31	32	key -
key *	33	34	X Reg IC378-1
nKCLR	35	36	CYP
Z	37	38	CSTC
CYS16	39	40	CSCC
XØENB	41	42	nOP·ØD14p
Arith IC359-13	43	44	ØD1
CZS10	45	46	Arith IC360-1
DPR In	47	48	X Reg IC370-1
Arith IC369-10	49	50	nYP1
ØB8	51	52	switch 5/4
ØB1	53	54	Arith IC368-4
Q-bit IC378-8	55	56	X
X1	57	58	ASUM10
ASUM16	59	60	OP·ØD0·B1p
CYDL, CA54	61	62	DPR
DPGT	63	64	nX=0
n(OP·ØD0·B2p)	65	66	OP·ØD0·B4p
DPNE	67	68	CQXYD
CS10S1,S23	69	70	CZØ
GND	71	72	CYØYP

N2			
Vcc	1	2	nP0
nMANUAL	3	4	nDP0
DISP	5	6	nDP6
nØD0	7	8	nDP5
nØD1	9	10	nDP4
nKCLR	11	12	nDP1
nKP	13	14	nDP2
nOP	15	16	nDP3
nØD15	17	18	ØB48
nØD14	19	20	D Latch IC253-11
K8	21	22	DP>4
K4	23	24	CZS10
K2	25	26	-
K1	27	28	DP>3
Ø	29	30	nDL2
Øp	31	32	DL2
X Reg IC281-11	33	34	DL1
CYP	35	36	nDL1
CSTC	37	38	Z
CSCC	39	40	nDL8
CYS16	41	42	nDL4
XØENB	43	44	ØD1
Arith XOR1-b	45	46	nOP·ØD14p
Arith IC265-6	47	48	DPR In
OP·ØD0·B1p	49	50	X Reg IC272-10
nYP1	51	52	ØB8
Arith IC277-13	53	54	ØB1
Q-bit IC246-6	55	56	OP·ØD0·B4p
X1	57	58	X
CYDL	59	60	ASUM10
nX=0	61	62	ASUM16
n(OP·ØD0·B2p)	63	64	DPR
CZØ	65	66	CQXYD
CS10S1,S23	67	68	Arith IC263-1
CYØYP	69	70	DP>2
GND	71	72	DP>6

N1			
Vcc	1	2	Vcc
nDP0	3	4	-
nDP6	5	6	-
nDP5	7	8	nØD0
nDP4	9	10	nØD1
nDP1	11	12	-
nDP2	13	14	-
nDP3	15	16	ØB1
ØB48	17	18	nØD15
nØB8p	19	20	nØD14
-	21	22	-
V+a	23	24	V+a
-	25	26	-
ØB8	27	28	-
nDL2	29	30	Ø
DL2	31	32	Øp
DL1	33	34	-
nDL1	35	36	-
DISP	37	38	-
nDL8	39	40	-
nDL4	41	42	-
GND	43	44	GND

NK (keyboard)			
1	key 1	17	-
2	key 2		
3	key 3	18	nP0
4	key 4	19	-
5	key 5	20	nDP0
6	key 6	21	nDP2
7	key 7	22	nDP4
8	key 8	23	nDP6
9	key 9	24	DP>2
10	key 0	25	DP>4
11	DP>3	26	DP>6
12	DPNE	27	nDP3
13	DPGT	28	Vcc
14	switch 5/4		
15	CA54	29	GND
16	-		
30	key DP		
31	key *		
32	key /		
33	key =		
34	key -		
35	key RC		
36	nKCLR		
37	key CE		
38	key M+		
39	key M-		
40	key MR/C		
41	key MC/R		
42	-		
43	lamp *		
44	-		
45	lamp /		

NR (remote)			
1	key 1	17	nMANUAL
2	key 2		
3	key 3	18	nP0
4	key 4	19	X
5	key 5	20	nDP0
6	key 6	21	nDP2
7	key 7	22	nDP4
8	key 8	23	nDP6
9	key 9	24	DP>2
10	key 0	25	DP>4
11	DP>3	26	DP>6
12	DPNE	27	nOP
13	DPGT	28	nDP3
14	switch 5/4		
15	CA54	29	GND
16	-		
30	key DP		
31	key *		
32	key /		
33	key =		
34	key -		
35	key RC		
36	nKCLR		
37	key CE		
38	key M+		
39	key M-		
40	key MR/C		
41	key MC/R		
42	ASUM16		
43	XØENB		
44	Ø		
45	nØD0		

Facit 1123 Calculator

- Italicised expressions are connections with no signal name in the schematic.
- Bold-faced expressions are signal sources.
- See preceding page for connector orientation.