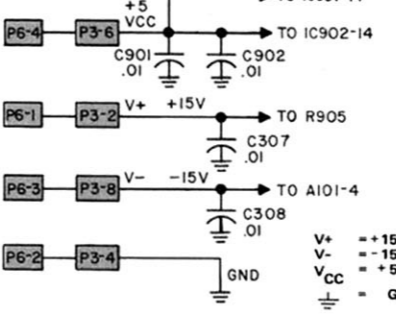
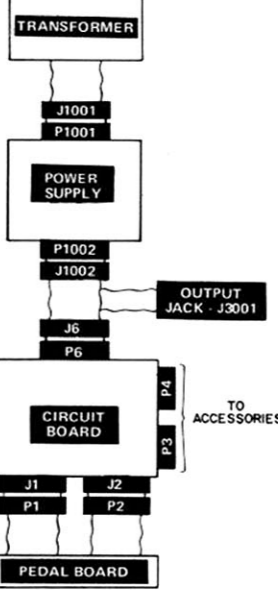


CAUTION
WHEN A COMPONENT IS REPLACED ALL FLUX MUST BE REMOVED TO PREVENT LEAKAGE.

CAUTION
SERIAL NO.'S TO APPROX 1150 DO NOT HAVE PLATED THRU HOLES, REPLACED COMPONENTS MUST BE SOLDERED ON BOTH SIDES.

- NOTES:**
- UNLESS OTHERWISE SPECIFIED -
 - ALL RESISTOR VALUES ARE IN OHMS AND 1/4 WATT.
 - ALL CAPACITOR VALUES ARE IN MFD.
 - ALL TRANSISTORS NPN ARE 2N3392.
 - ALL LEADS ARE SSL-22.
 - ALL DIODES ARE IN4148.
 - IC 801, 701, 801 SOCKETS SHOULD BE REPLACED WITH DUAL IN-LINE SOCKETS TO ELIMINATE LEAKAGE PROBLEMS.
 - TO ELIMINATE PITCH DRIFT FLOAT PIN 10 OF IC106, PIN 3 OF Q101 AND + SIDE OF C112.
 - * NOT ON BOARD.
 - ** REPLACE STANDARD 3080'S WITH 3080A FOR IMPROVED EFFECT CHARACTERISTICS ON OLDER MODELS.
 - 20% BLACK ■ ARE CONNECTORS. 20% BLUE ■ ARE INTEGRATED CIRCUITS AND TRANSISTORS.
 - IC REFERS TO INTEGRATED CIRCUITS, RESISTOR NETWORKS AND INTEGRATED TRIM POTS.
 - REPLACE R117 WITH A 47K IF TRIGGER CIRCUIT IS OPERATING INTERMITTENTLY AND THE KEYBOARD CONTACTS HAVE BEEN DETERMINED NOT TO BE AT FAULT.



SCHMATIC REPEATED ON REVERSE SIDE FOR SERVICE CONVENIENCE.

FIGURE 7-4 OVERALL SCHEMATIC DIAGRAM